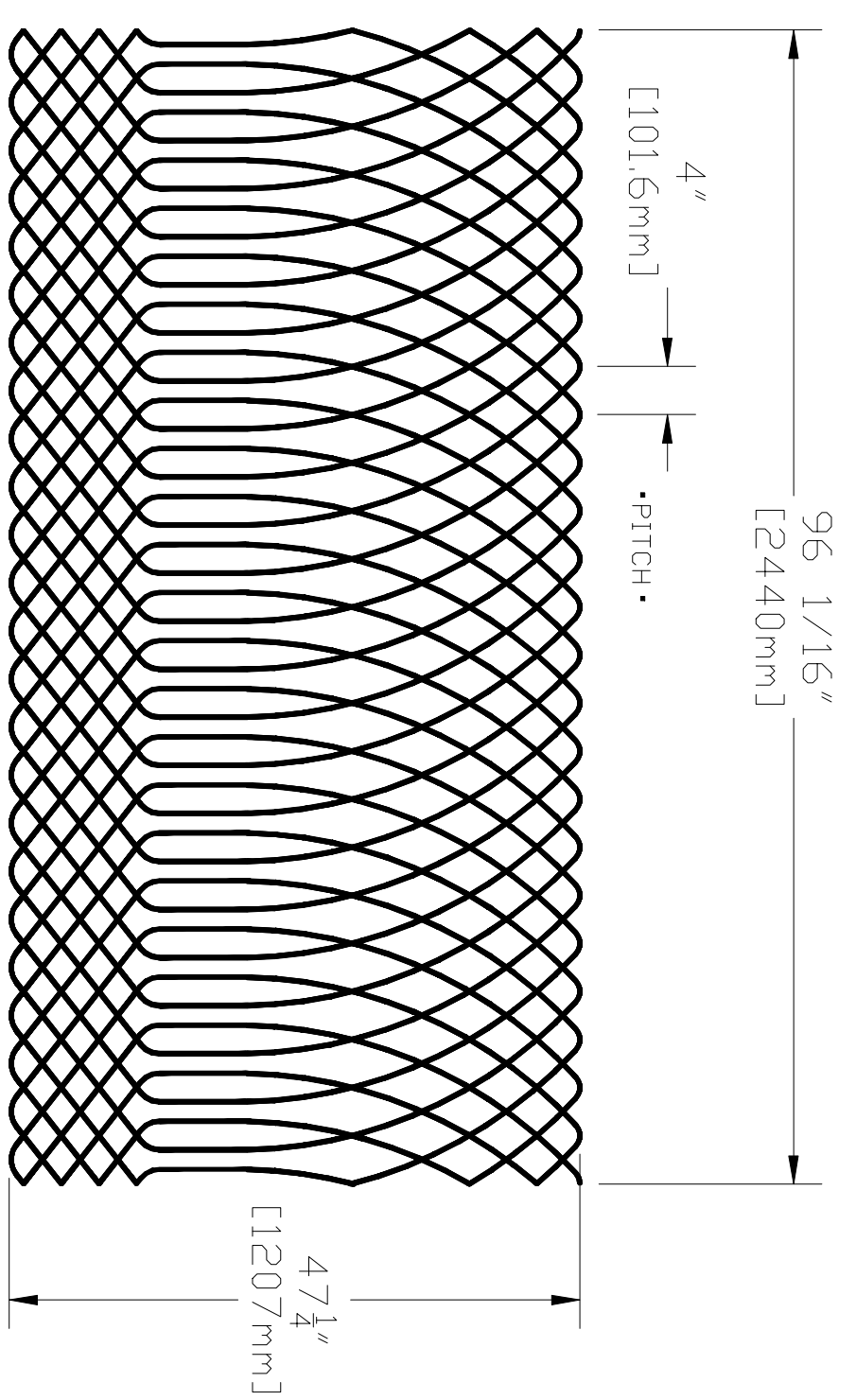
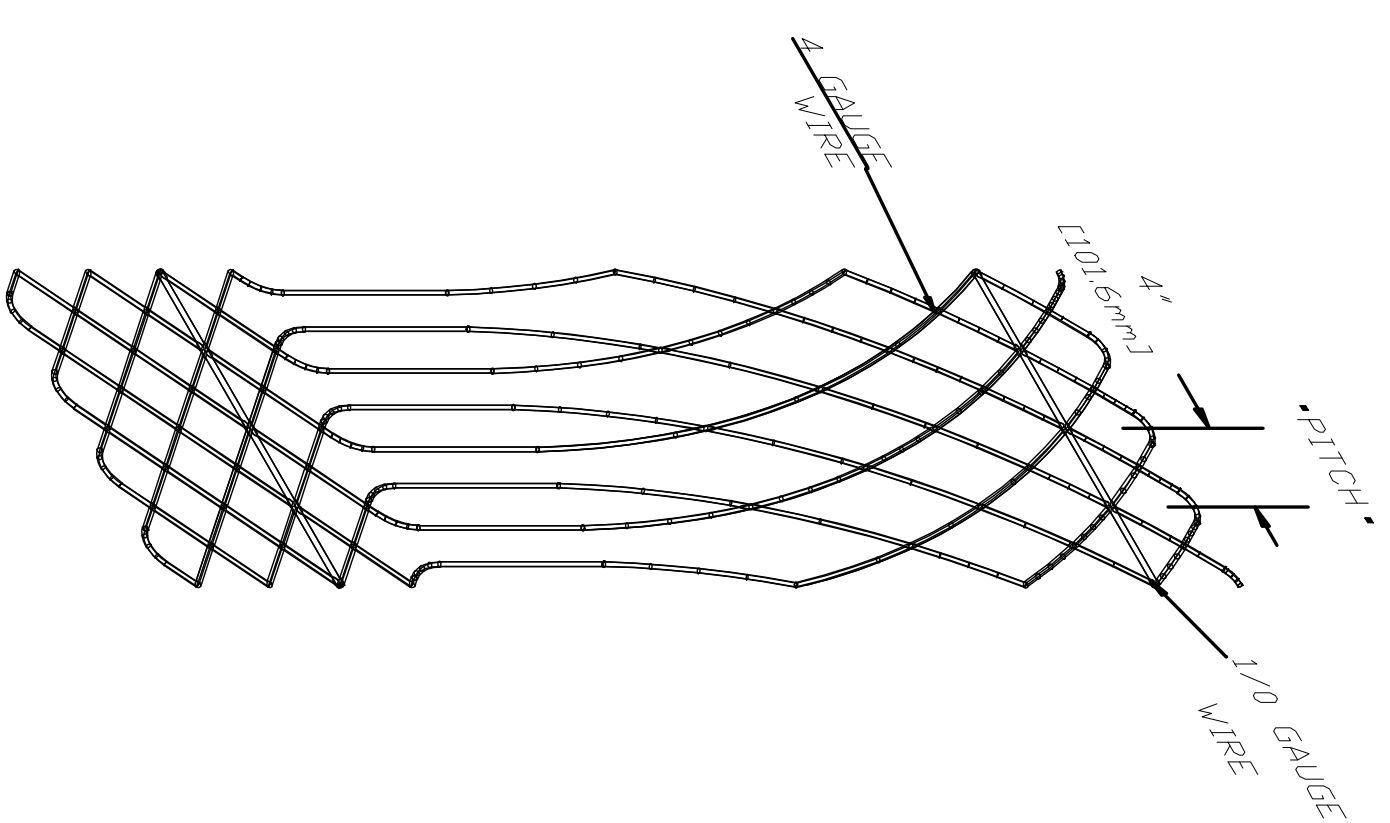


**DMF FLORENCE**  
**96"x48" - PANEL DETAIL**  
 UNSCALED

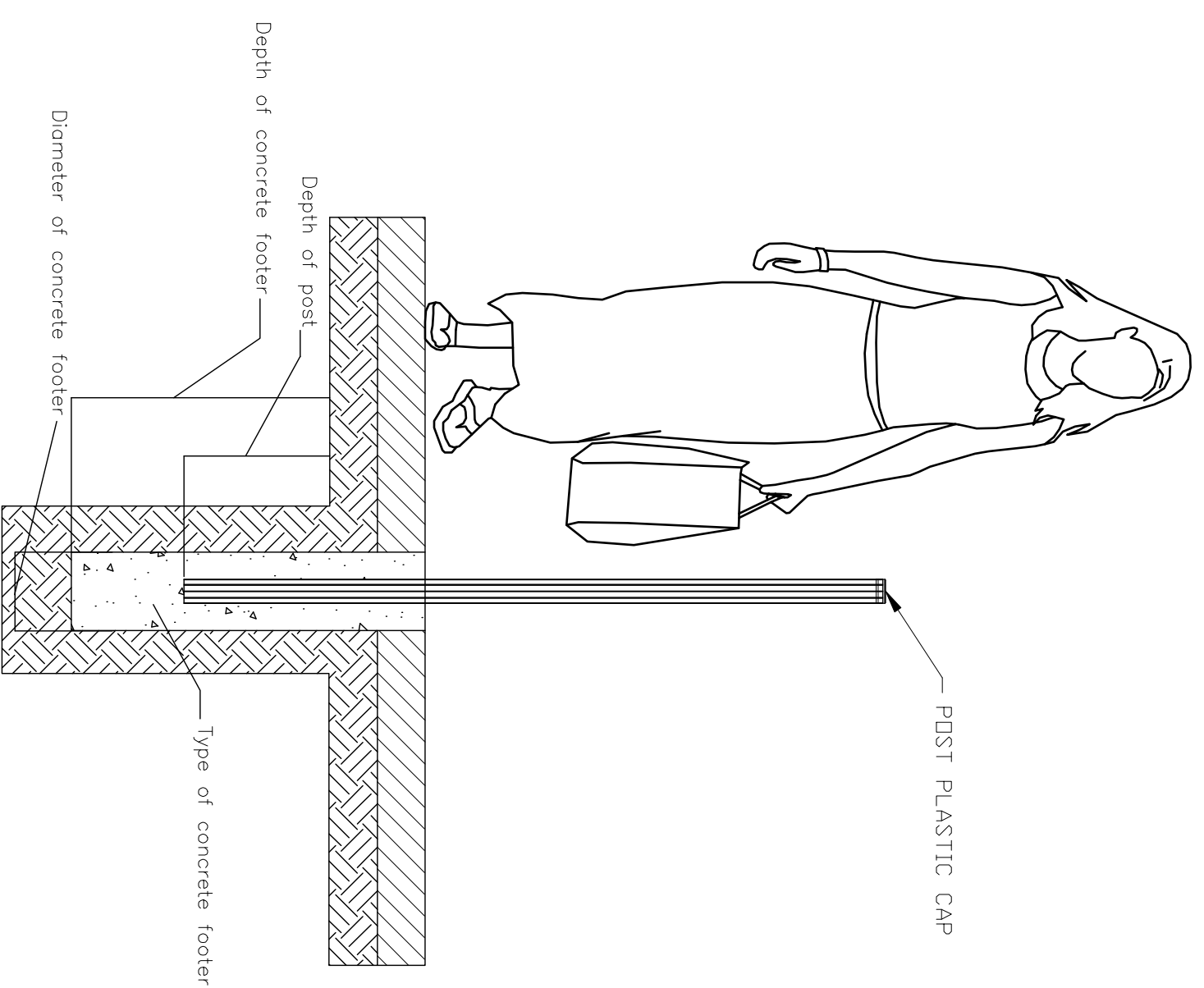


DMF FLORENCE PANEL SPECIFICATIONS		
SPECIFICATION	TOLERANCE	NOTES
HORIZONTAL WIRE	0.31"/8mm.	
FORMING WIRE	±0.0019"/±0.05mm.	
TENSIONING STRENGTH	4 GA. 0.22" 80 ksi	
ZINC COATING	32 oz./ft. <sup>2</sup>	ASTM A-641
POWDER COATING THICKNESS	TGC FREE/VOC FREE	100 MICRONS ASTM-D-7091

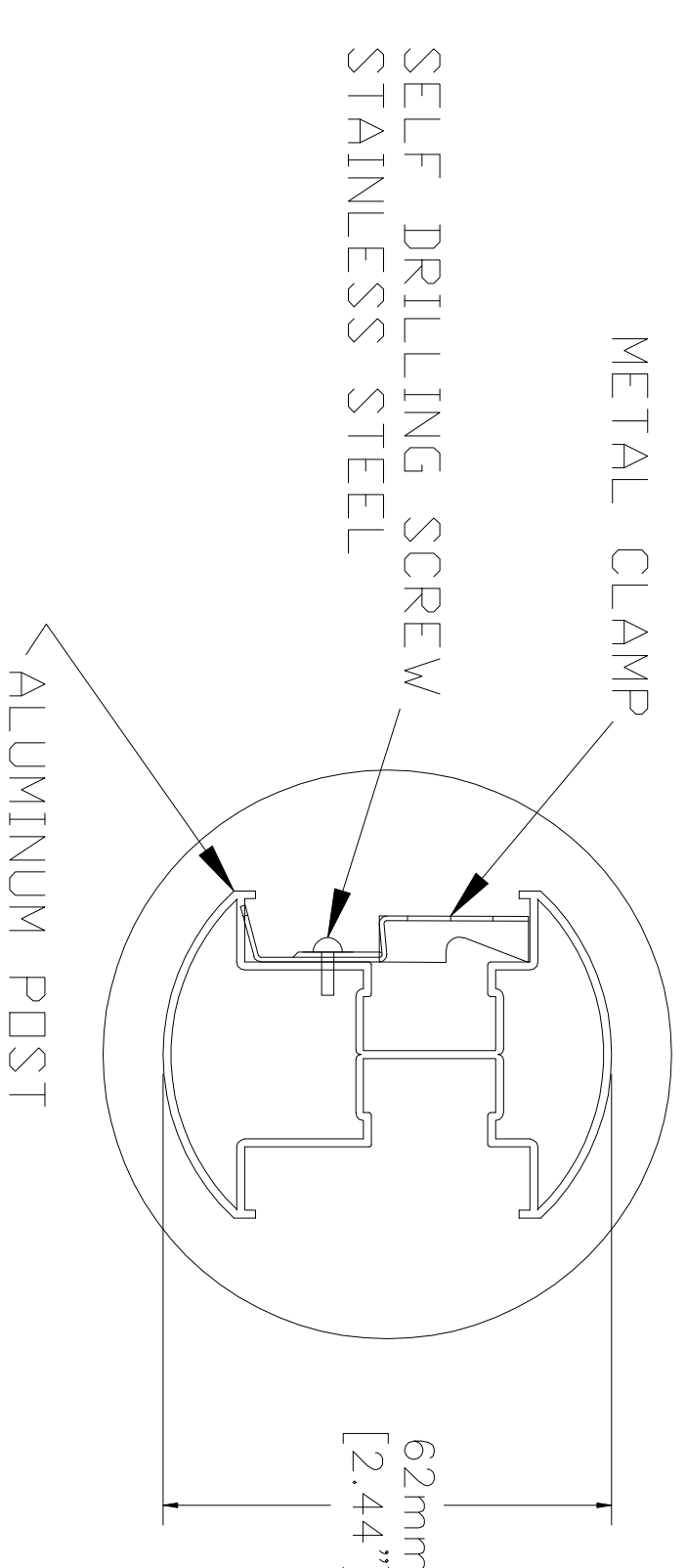
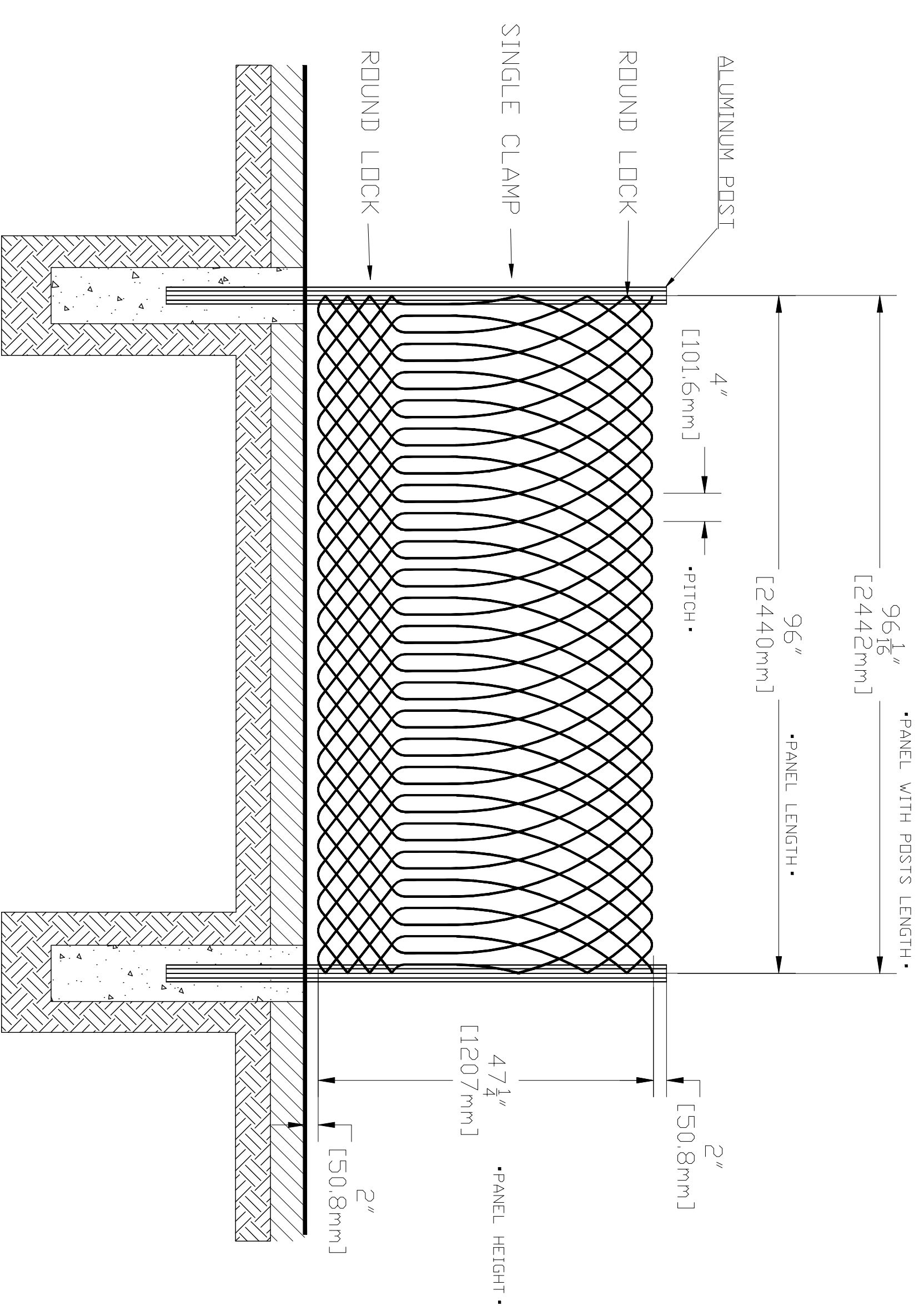
DMF POST SPECIFICATIONS		
DIMENSION	SPECIFICATION	NOTES
POST SIZE	62mm(2.44")	ALLOY 6063 T5 ASTM B-221
POST GAUGE	0.059"	ALLOY 6063 T5
POST CAP	PLASTIC INJECTION	POLYPROPYLENE
HARDWARE CLAMPS	STAINLESS STEEL	
POWDER COATING THICKNESS	100 MICRONS	TGC FREE/VOC FREE ASTM-D-7091



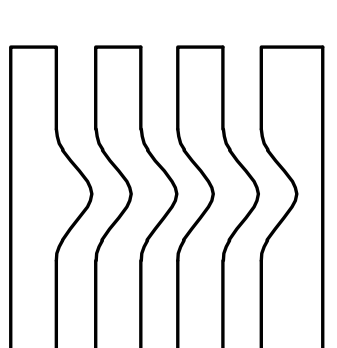
**DMF FLORENCE**  
**96"x31" - SIDE VIEW**  
 UNSCALED



**DMF FLORENCE**  
**96"x48" - INSTALLATION DETAIL**  
 UNSCALED



DRAWINGS BY:  
 VP & ASSOCIATES, INC.  
 TAMPA, FL 33605  
 PH: 813-247-3935  
 FAX: 813-247-4305



**Designmaster™**  
 FENCING SYSTEM

DMF - FLORENCE 96"x48"  
 SPECIFICATIONS

DATE: JANUARY, 2017	PROJECT NAME:	GENERAL SPECS
	CUSTOMER:	DESIGN MASTER FENCE