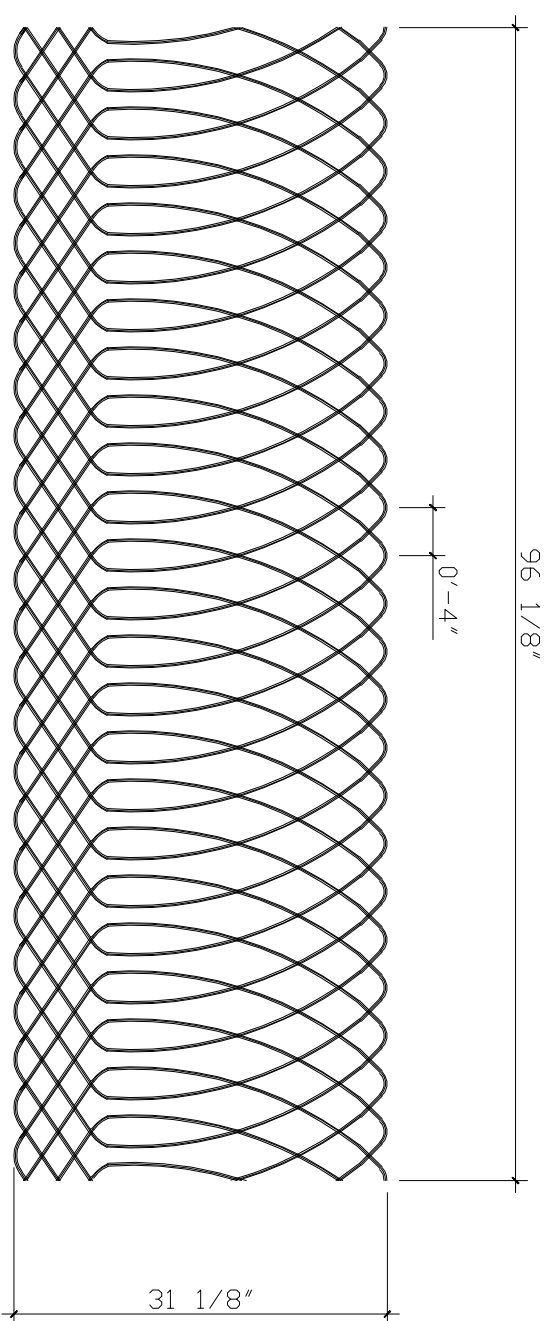
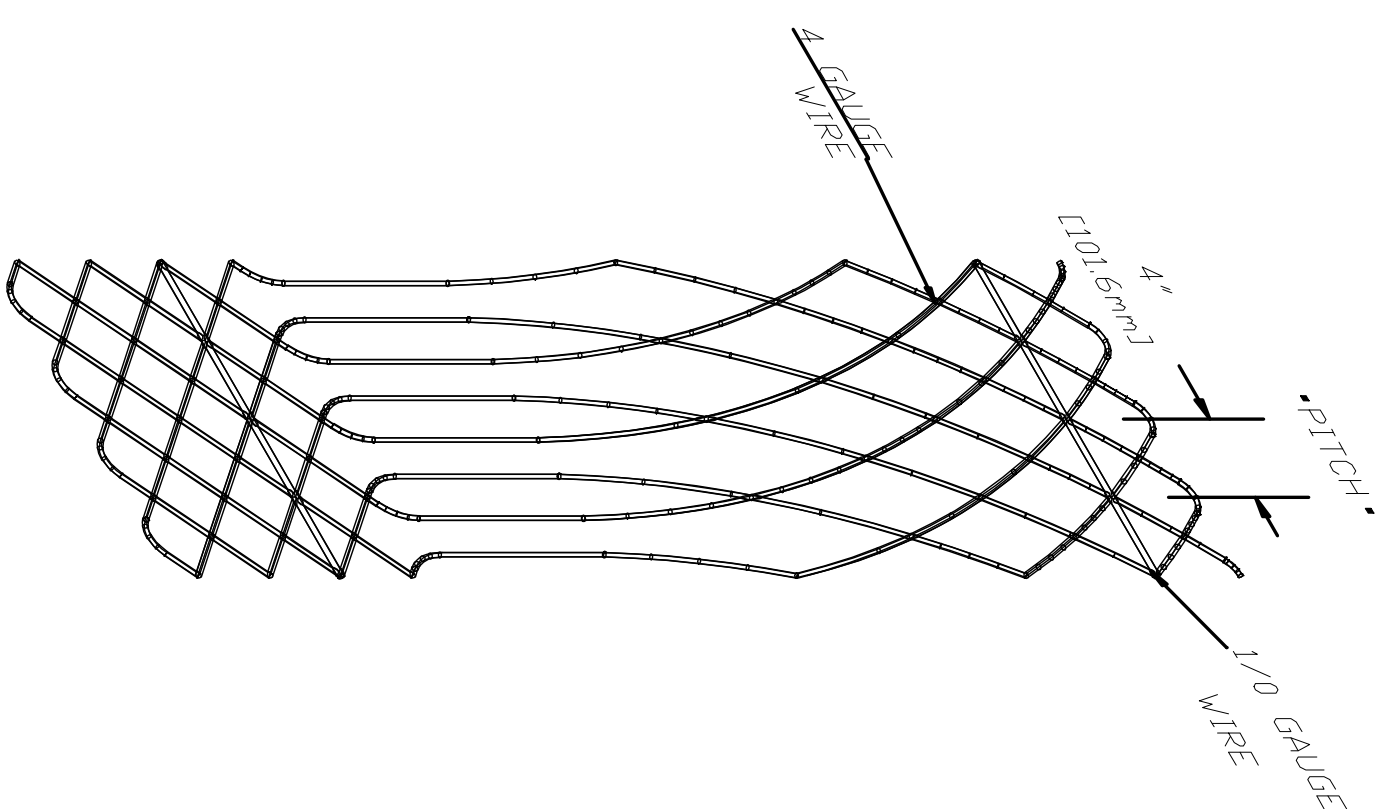


DMF FLORENCE
96"x31" - PANEL DETAIL
 UNSCALED

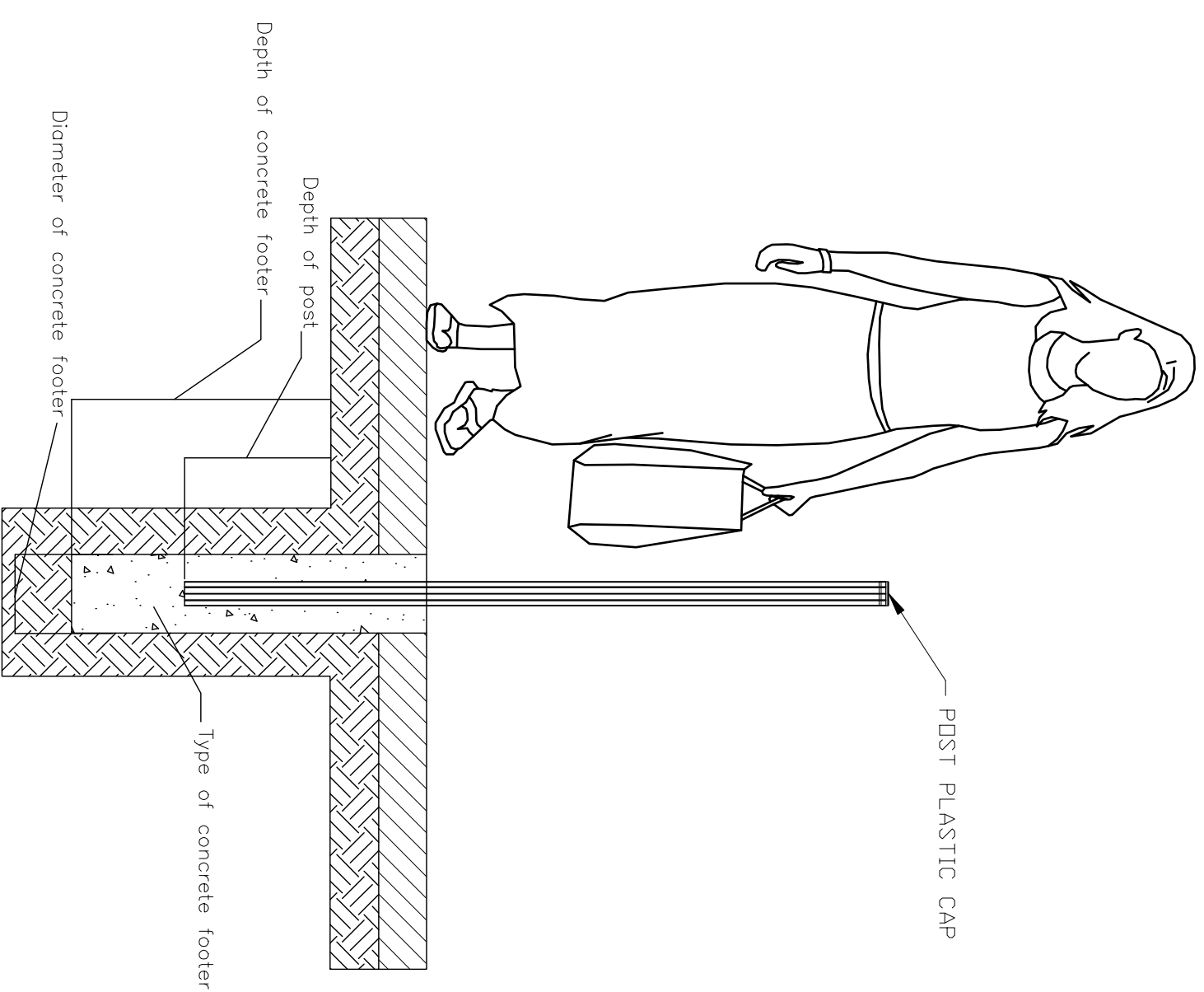


DMF FLORENCE PANEL SPECIFICATIONS		
SPECIFICATION	TOLERANCE	NOTES
HORIZONTAL WIRE	0.31" / 8mm.	
FORMING WIRE	±0.0019" / ±0.05mm.	
TENSIONING STRENGTH	4 GA. 0.22" 80 ksq	
ZINC COATING	32 oz./ft ²	ASTM A-641
POWDER COATING THICKNESS	TIG FREE/VOC FREE	100 MICRONS ASTM D-7091

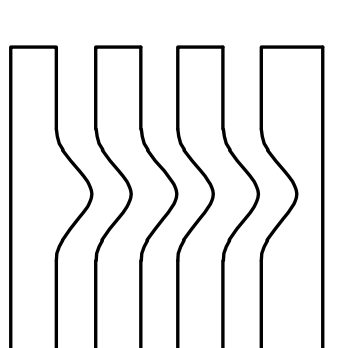
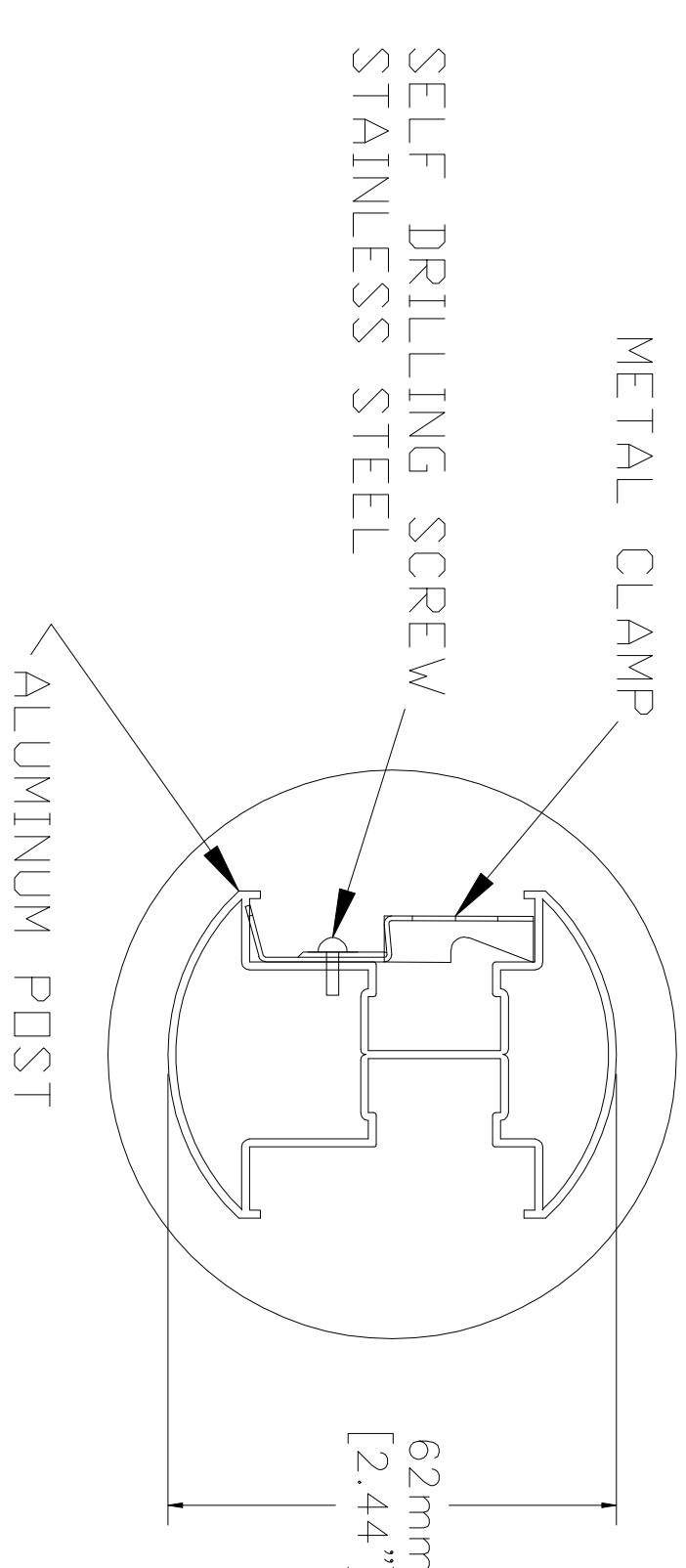
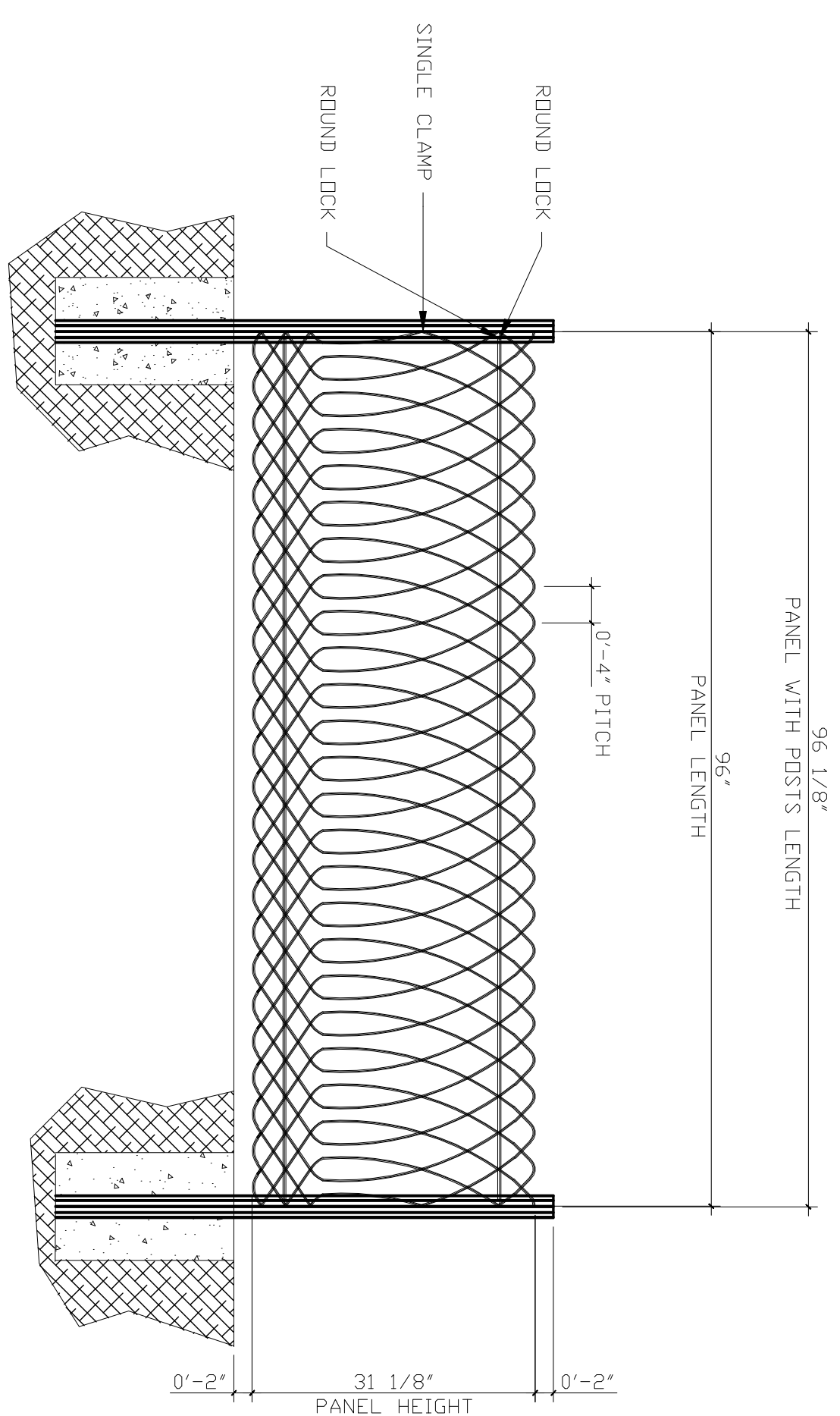
DMF POST SPECIFICATIONS		
DIMENSION EXTENSION	SPECIFICATION	NOTES
POST SIZE	62mm [2.44"]	ALLOY 6063 T5 ASTM B-221
POST GAUGE	0.059"	ALLOY 6063 T5
POST CAP	PLASTIC INJECTION	POLYPROPYLENE
HARDWARE CLAMPS	STAINLESS STEEL	
POWDER COATING THICKNESS	100 MICRONS	TIG FREE/VOC FREE ASTM D-7091



DMF FLORENCE
96"x31" - SIDE VIEW
 UNSCALED



DMF FLORENCE
96"x31" - INSTALLATION DETAIL
 UNSCALED



Designmaster™
 FENCING SYSTEM

DMF – FLORENCE 96"x31"
 SPECIFICATIONS

PROJECT NAME:	GENERAL SPECS
CUSTOMER:	DESIGN MASTER FENCE

DATE: JANUARY, 2017