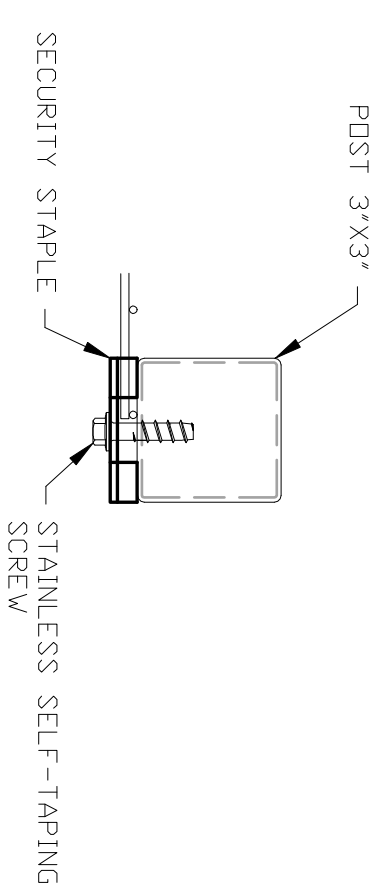


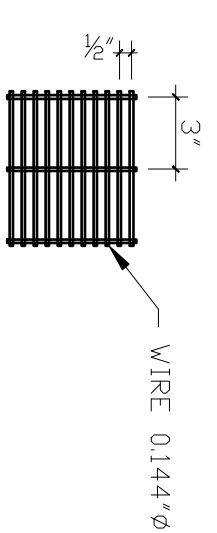
- VALUES SHOWN ARE NOMINAL AND NOT TO BE USED FOR INSTALLATION PURPOSES.
- DO NOT SCALE.
- CHECK, KNOW AND RESPECT LOCAL BUILDING CODES WHERE APPLICABLE.
- OBTAIN ALL NECESSARY BUILDING PERMITS.
- THESE ARE BASIC AND GENERAL SPECIFICATIONS AND THEY DO NOT COVER ALL POSSIBLE INSTALLATION SCENARIOS.

FORTE V BRACE PANEL SPECIFICATIONS			
	SPECIFICATION	TOLERANCE	SPECIFICATION
HORIZONTAL WIRE DIAMETER	0.144"/3.65mm.	±0.0019"/±0.05mm.	ASTM A-510
VERTICAL WIRE DIAMETER	0.144"/3.65mm.	±0.0019"/±0.05mm.	ASTM A-510
TENSILE STRENGTH	80 ksi		
ZINC COATING	0.32 oz/ft ²		ASTM A-641
POWDER COATING THICKNESS TGIC FREE/VOC FREE	100 MICRONS		ASTM D-7091

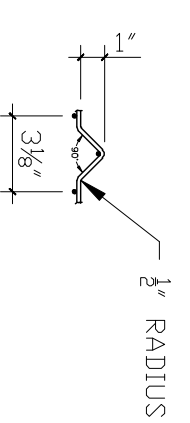
DMF POST SPECIFICATIONS		
	DIMENSION	SPECIFICATIONS
POST SIZE	3"x3"	ASTM A513
POST GAUGE	11	
TENSILE STRENGTH	44945 lbs/in ²	ASTM A-500
POST ZINC COATING	0.9oz/ft ²	ASTM A-653 TABLE 1 (990=Z275)
YIELD STRENGTH	32997 lbs/in ²	ASTM A-500
POST CAP	PLASTIC INJECTION FOR 3"x3" POST	POLYPROPYLENE
HARDWARE CLAMPS	UNIVERSAL CLAMP	
POWDER COATING THICKNESS	100 MICRONS	TGIC FREE/VOC FREE ASTM D-7091



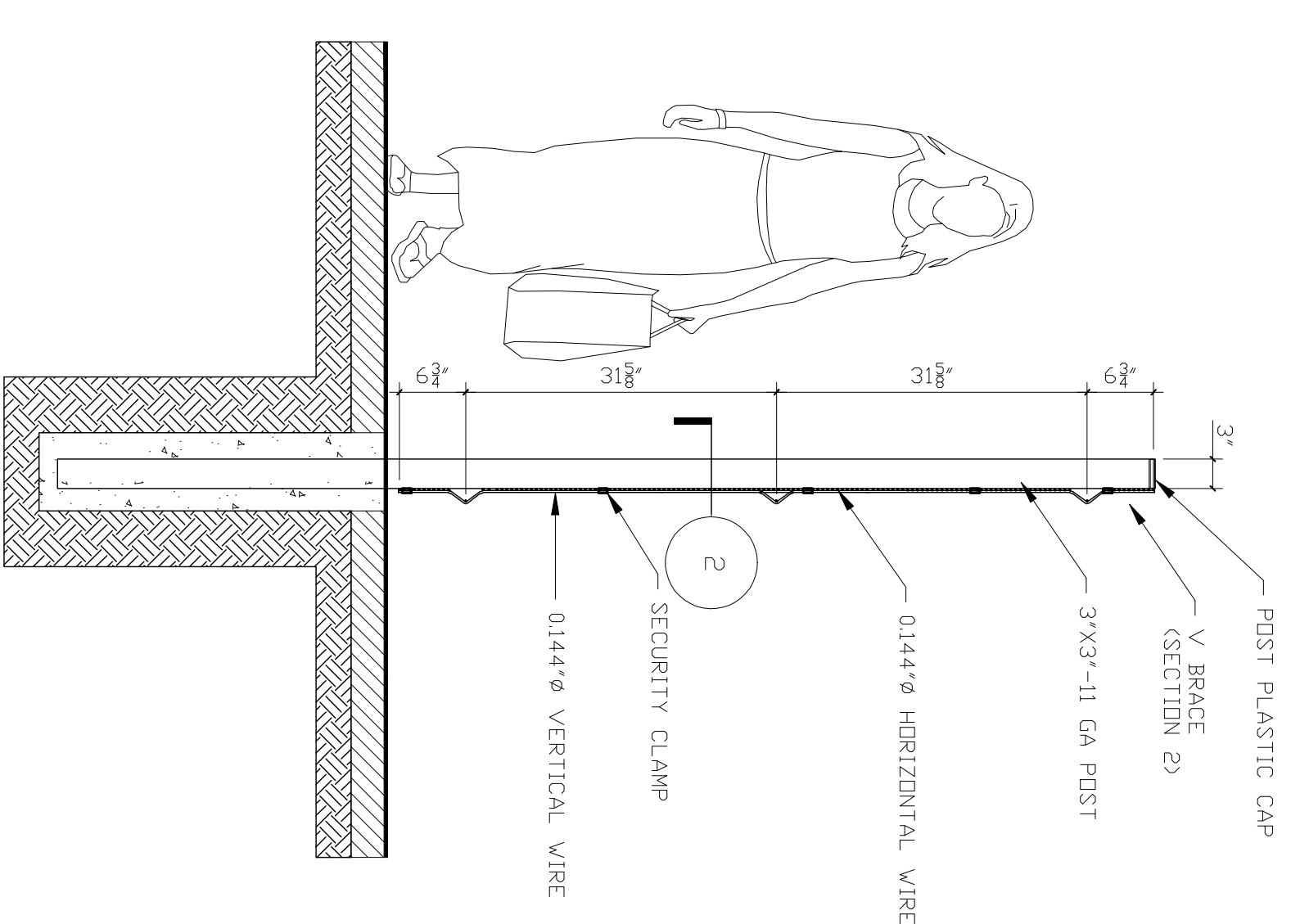
SECTION 1 - "UNIVERSAL CLAMP"



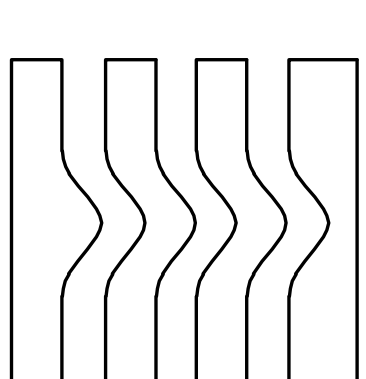
DETAIL 2



SECTION 2



DRAWINGS BY:
 VP & ASSOCIATES, INC.
 202 S. ECHO ST.
 TAMPA, FL 33605
 PH: 813-247-3835
 FAX: 813-247-4305



Designmaster™
 FENCING SYSTEM

DMF – FORTE V BRACE 76”
 ELEVATIONS/SECTIONS

DATE: NOVEMBER, 2018

PROJECT NAME:
 CUSTOMER:

GENERAL SPECS
 DESIGN MASTER FENCE